

## TESA-HITE magna 400 and 700

### Made to withstand severe workshop conditions

Emanating from a well-proven TESA technology, both TESA-HITE magna 400 and 700 are equipped with the patented TESA magna u system. They are designed to remain unaffected even in the toughest conditions (water and oil splashing, dust particles).

They have exceptional features that make them indispensable for the workshop while also offering the most favourable price-performance relationship. Robust and dependable, their modern design provides the highest resistance for use close to the production area.

Each height gauge is battery-powered and serve to measure height or step dimensions, diameters, centre-to-centre distance of bores or grooves, width of nuts, and much more.



- Wide application range, two sizes available with measuring span to 415 mm / 16 in or 715 mm / 28 in, respectively.
- Electronics totally protected against oil and water splashing or dust particles (IP65).
- Control panel with numerical display to 0.001/0.005/0.01 mm or 0.0001/0.0002/0.001 in.
- Dynamic probing of the workpiece with a constant measuring force.
- Ease of use, high reliability when checking bores or shafts using TESA's unique device for automatic detection of the culmination point – patented.
- Acoustic signal to acknowledge value capture, also conveniently programmable.
- Ability to measure parallelism errors.
- TESA's magnetic system, guaranteeing correct operating even in harsh workshop conditions – patented.
- Large LC display, also with symbols for the measuring functions.
- Zero-setting anywhere within the measuring range.
- PRESET function for entering any given value.
- Metric/inch conversion.
- RS 232 data output.
- SCS calibration certificate provided with each height gauge.

- ✓
- Factory standard
- 83 x 49 mm LC display, 7-decade plus minus sign. Also with graphical symbols for all active functions.
- 0.001/0.005/0.01 mm or 0.0001/0.0002/0.001 in
- 12 mm
- Metric/Inch conversion
- Measuring span, application range and precision: see relevant table on page N-5.
- Nickel plated gauge base (chemical coating)
- Magnetic scale
- $(12 \pm 1.5) \times 10^{-6} K^{-1}$
- Probing head mounted on a ball-bearing, hand wheel for head displacement, fine setting. Head drive carriage can be locked.
- 500 mm/s  
20 in/s
- 1.5 ± 0.5 N (at switch point)
- RS 232
- Rechargeable batteries, 6V
- ≈ 60 h
- 10°C to 40°C
- 10°C to 60°C
- 100%
- IP55 or IP65 for both electronics and measuring system (IEC 60529)
- See table on page N-5
- EN 61326, Class B (with disconnected charger)
- Shipping packaging

**NO** Identification number

**DECL** Declaration of conformity

**SCS** SCS calibration certificate

## TESA-HITE maana 400 / 700



**00730047** **TESA-HITE maana 400 height gauge**  
 Measuring span 415 mm / 16 in  
 Application range 0 ÷ 570 mm / 0 ÷ 22 in

**00730059** **TESA-HITE maana 700 height gauge**  
 Measuring span of 715 mm / 28 in  
 Application range of 0 ÷ 870 mm / 0 ÷ 34 in

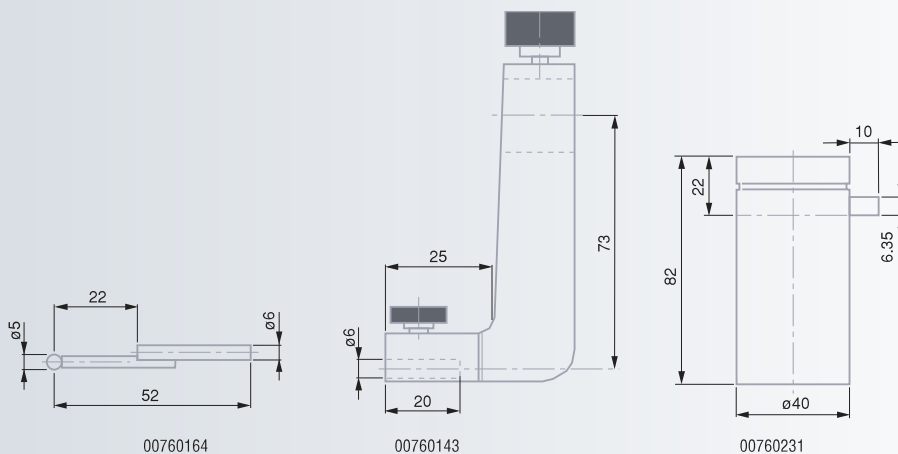
*Each height gauge is supplied with the following standard accessories:*

- 00760143** 1 Standard probe insert holder
- 00760164** 1 Standard probe insert with a 5 mm dia. tungsten carbide ball tip
- 00760231** 1 Master piece for establishing the probe constant, nominal dimension to 6.350 mm / 0.250 in
- 00760157** 1 Rechargeable battery, 6V
- 04761054** 1 Mains adapter, 100 ÷ 240 Vac / 50 ÷ 60Hz
- 04761055** 1 Cable EU for mains adapter
- 04761056** 1 Cable US for mains adapter

### Technical Data

			TESA-HITE maana	
			400	700
	mm		415	715
	in		16	28
	mm	With standard accessory	0 ÷ 570	0 ÷ 870
	in		0 ÷ 22	0 ÷ 34
	mm	With probe insert holder No. 00760057	0 ÷ 625	0 ÷ 925
	in		0 ÷ 24	0 ÷ 36
	mm	With probe insert holder No. S07001622	0 ÷ 795	0 ÷ 1095
	in		0 ÷ 31	0 ÷ 43
	um	With standard accessory	< 8	< 8
	in		< 0.0003	< 0.0003
		With standard accessory	on flat surfaces: 2δ = < 3 um / < 0.00015 in into bores: 2δ = < 5 um / < 0.00020 in	
	ka		15	18

### Standard Accessories for TESA-HITE maana 400 / 700



## Optional Accessories for TESA-HITE magna 400 / 700

**Nº**

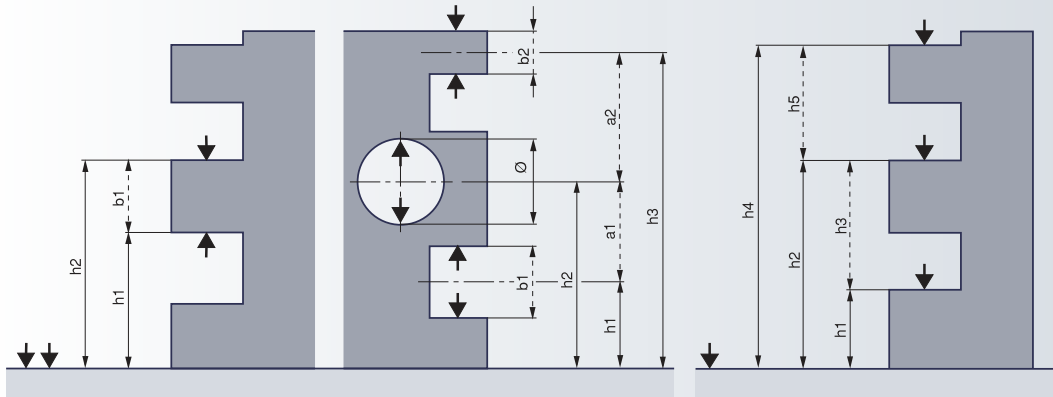


**04761052** RS 232 connecting cable for PC and TESA PRINTER SPC

**04761063** Connecting cable Sub-D 9pin and USB for PC

Additional accessories: see page N-27

### One-Dimensional Measurement



### Measurement of Parallelism

