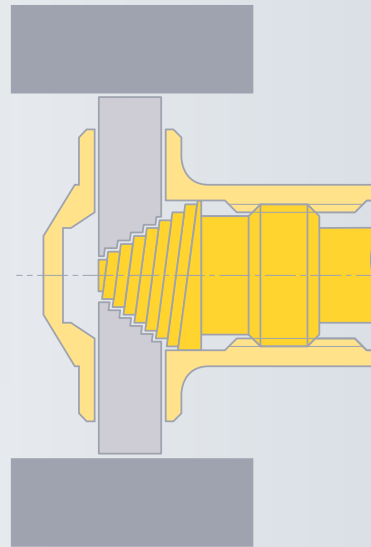
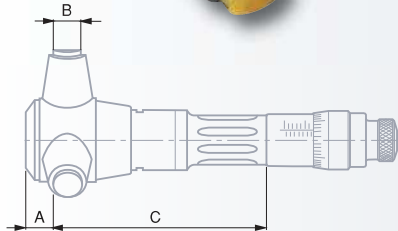


# TESA IMICRO with Analogue Indication – Metric

Self-centring and self-aligning internal micrometers. The high-precision thread machined into the measuring cone, combined with the measuring bolts specially arranged to provide 3-line contact, make them the only micrometers in the world that respect the ABBE principle. Measure depth, reliably.



DIN 863 T4  
(Style C1)  
NF E 11-099



Measuring faces for application

ranges from  
3.5 to 12 mm:  
hardened steel (HV30 770)  
11 to 100 mm:  
TiN hard-coating (HV5 2300)  
100 to 300 mm:  
carbide tipped (HV5 1300)



Application ranges from  
3.5 to 200 mm  
in a shipping box  
200 to 300 mm in a wooden  
case with 1 extension of  
150 mm (No. 00842600)



Identification number



Inspection report with a declaration of conformity

No						A mm	B mm	C mm
	mm	mm	um	um				
00813410	3.5 ÷ 4	0.001	4	4		2	1.5	20
00813411	4 ÷ 4.5	0.001	4	4		2	1.5	20
00813412	4.5 ÷ 5.5	0.001	4	4		2	1.5	25
00813413	5.5 ÷ 6.5	0.001	4	4		2	1.5	25
00810001	6 ÷ 8	0.001	4	4		2.5	2.5	52
00810002	8 ÷ 10	0.001	4	4		2.5	2.5	52
00810003	10 ÷ 12	0.001	4	4		2.5	2.5	52
00810801	11 ÷ 14	0.005	4	4		3.5	4	77
00810802	14 ÷ 17	0.005	4	4		3.5	4	77
00810803	17 ÷ 20	0.005	4	4		3.5	4	77
00811501	20 ÷ 25	0.005	4	4		7	7	78
00811502	25 ÷ 30	0.005	4	4		7	7	78
00811503	30 ÷ 35	0.005	4	4		7	7	78
00811504	35 ÷ 40	0.005	4	4		7	7	78
00812301	40 ÷ 50	0.005	4	4		11	12	84
00812302	50 ÷ 60	0.005	5	5		11	12	84
00812303	60 ÷ 70	0.005	5	5		11	12	84
00812304	70 ÷ 80	0.005	5	5		11	12	84
00812305	80 ÷ 90	0.005	5	5		11	12	84
00812306	90 ÷ 100	0.005	5	5		11	12	84
00812601	100 ÷ 125	0.01	6	6		26	18	81
00812602	125 ÷ 150	0.01	6	6		26	18	81
00812603	150 ÷ 175	0.01	7	7		26	18	81
00812604	175 ÷ 200	0.01	7	7		26	18	81
00813101	200 ÷ 225	0.01	8	8		26	18	81
00813102	225 ÷ 250	0.01	8	8		26	18	81
00813103	250 ÷ 275	0.01	8	8		26	18	81
00813104	275 ÷ 300	0.01	8	8		26	18	81

## TESA IMICRO with Analogue Indication – Full Metric Sets



DIN 863 T4  
(Style C1)  
NF E 11-099



Measuring faces  
on models from  
3.5 to 12 mm:  
hardened steel, HV30 770;  
11 to 100 mm: titanium  
nitride (TiN) hard-coating  
to HV5 2300.  
100 to 200 mm: tungsten  
carbide tipped to HV5 1300.



Additional  
technical data:  
see on the  
previous page.  
Settina rinas on  
page D-17.



Plastic case  
or suitcase



Identification  
number



Inspection report  
with a declaration  
of conformity

No	A	mm	No	mm	No	mm	No	mm
Full sets including			Single micrometers		Settina rinas		Extensions	
<b>00813409</b>	BAE	3.5 ÷ 6.5	00813410	3.5 ÷ 4	00843200	4	–	
			00813411	4 ÷ 4.5	00843201	5.5		
			00813412	4.5 ÷ 5.5				
			00813413	5.5 ÷ 6.5				
<b>00810000</b>	BAF	6 ÷ 12	00810001	6 ÷ 8	00840101	8	00840001	100
			00810002	8 ÷ 10	00840102	10		
			00810003	10 ÷ 12				
<b>00810800</b>	BAG	11 ÷ 20	00810801	11 ÷ 14	00840103	11	00840301	150
			00810802	14 ÷ 17	00840105	17		
			00810803	17 ÷ 20				
<b>00811500</b>	BAH	20 ÷ 40	00811501	20 ÷ 25	00840106	25	00841100	150
			00811502	25 ÷ 30	00840107	35		
			00811503	30 ÷ 35				
			00811504	35 ÷ 40				
<b>00812300</b>	BAJ	40 ÷ 100	00812301	40 ÷ 50	00840108	50	00841800	150
			00812302	50 ÷ 60	00840109	70		
			00812303	60 ÷ 70	00840110	90		
			00812304	70 ÷ 80				
			00812305	80 ÷ 90				
			00812306	90 ÷ 100				
<b>00812600</b>	BAK	100 ÷ 200	00812601	100 ÷ 125	00840112	125	00842600	150
			00812602	125 ÷ 150	00840113	175		
			00812603	150 ÷ 175				
			00812604	175 ÷ 200				

## Accessories for both TESA IMICRO and TESA IMICRO capa u svstem

### Extensions for Deep Hole Measurement



N <sup>o</sup>	mm	mm	N <sup>o</sup>	mm	mm
00840001	6 ÷ 12	100	00841800	40 ÷ 100	150
00840301	11 ÷ 20	150	00841801		500
00840302		500	00841802		1000
00841100	20 ÷ 40	150	00842600	100 ÷ 300	150
00841101		500	00842601		500
00841102		1000	00842602		1000



DIN 863 T4 (Style C1)



### Centrina Devices for TESA IMICRO

N <sup>o</sup>	mm	mm
00860001	40 ÷ 100	150
00862601	100 ÷ 200	200



### Moulded Cases for Single Micrometers. Full Sets and Partial Sets

N <sup>o</sup>	mm	N <sup>o</sup>	mm
<i>Sinle micrometers</i>			
-	06160002	06160002	3.5 ÷ 12
00860007	06160002	06160002	11 ÷ 20
00860011	06160002	06160002	20 ÷ 40
00860015	06160003	06160003	40 ÷ 70
00860016	06160003	06160003	70 ÷ 100
00863016	00863016	00863016	100 ÷ 300

N <sup>o</sup>	mm	N <sup>o</sup>	mm
<i>Micrometer sets</i>		<i>Full and partial micrometer sets</i>	
00863035	06160006	06160006	3.5 ÷ 6.5
00863005	06160005	06160005	6 ÷ 12
00860008	06160005	06160005	11 ÷ 20
00860012	06160006	06160006	20 ÷ 40
00860017	06160007	06160007	40 ÷ 100
00863017	00863017	00863017	100 ÷ 200

### IMICRO Adapter

Every TESA IMICRO (SM versions or models with analogue indication) can easily be updated by means of the adapter used for couplina the measuring head with the new capa u svstem element.



N <sup>o</sup>	N <sup>o</sup>	mm
<i>Capa u svstem element</i>	<i>Adapter</i>	<i>Application range</i>
06130011		6 ÷ 100
	06140048	6 ÷ 12
	06140049	11 ÷ 20
	06140050	20 ÷ 40
	06140051	40 ÷ 100

**Note:** To ensure accuracy, the micrometer needs to be recalibrated.