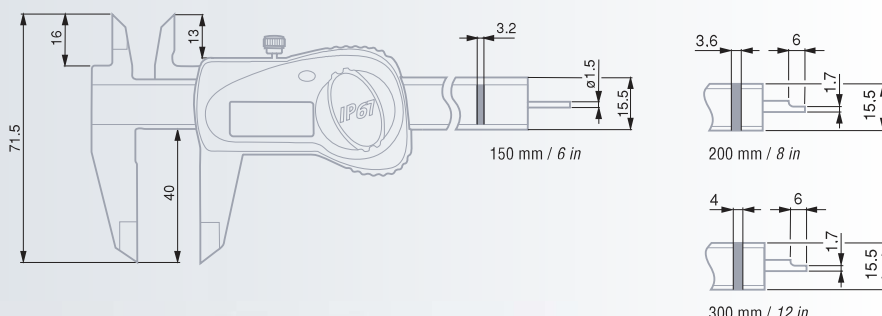
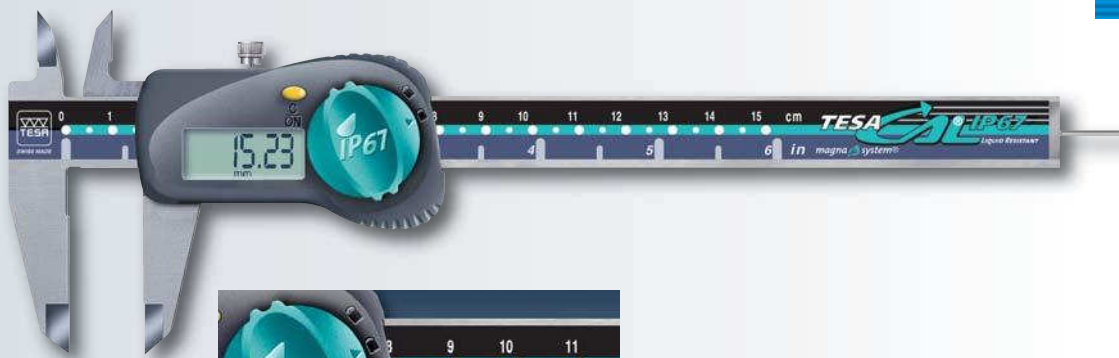


# TESA GAL IP67 maana u system

Patented measuring system – TESA maana u system

New electronic caliper – The highest degree of protection ever achieved with hand-held tools of this type – Totally immune to the penetration of liquids and particles of metal.

Magnetic measuring system – a TESA's technology guaranteeing full reliability and accuracy, even in the toughest conditions of use – SWISS MADE.



DIN 862 (Style 1A-ZS)

0,01 mm  
0,0005 in

LCD, 7 mm

Floating zero

Conversion mm / in

≤100 mm = 20 μm  
>100 mm = 30 μm

10 μm

Steel scale with incremental divisions, magnetic

> 1.8 m / s

RS232 opto-coupled, mono- and bi-directional

Hardened stainless steel

3V lithium battery, CR 2032

≈ 1.5 A (≈ 2000 h / a)

Idle mode after 10 min. automatic switch off after 2 h.

10°C to 40°C

-10°C to 60°C

100%

IP67 (IEC 60529)

EN 50081-1  
EN 50082-1

Suited plastic case

Identification number

Inspection report with a declaration of conformity



No	mm / in	RS232	Thumb roller	A mm	B mm	C mm	a
00530300	150 / 6	–	–	40	16	71.5	140
00530301	150 / 6	–	●	40	16	71.5	140
00530302	200 / 8	–	●	50	20	89.5	200
00530303	300 / 12	–	●	64	22	105.5	270
00530311	150 / 6	●	●	40	16	71.5	140
00530312	200 / 8	●	●	50	20	89.5	200
00530313	300 / 12	●	●	64	22	105.5	270

*Optional Accessories*

01961000	3 V lithium battery, 190 mAh, type CR 2032
00560013	Depth foot for calipers having a 150 mm measuring span (also see on page B-24) For connecting cables, see section A

